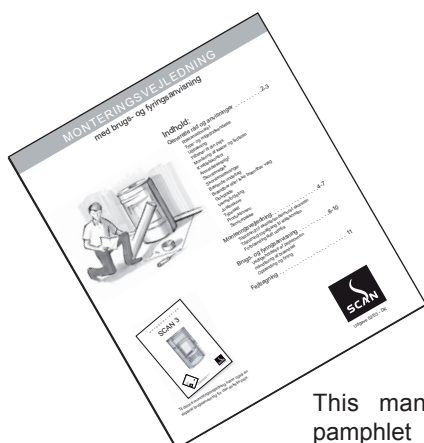
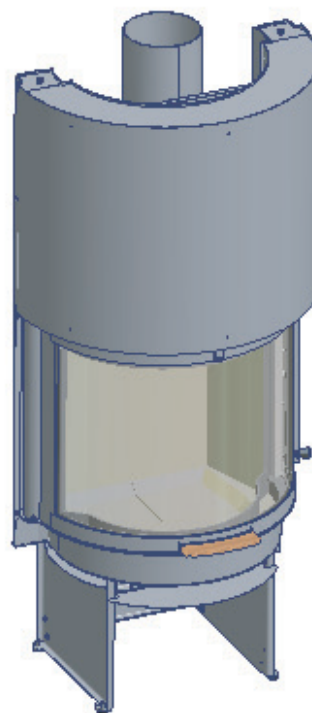
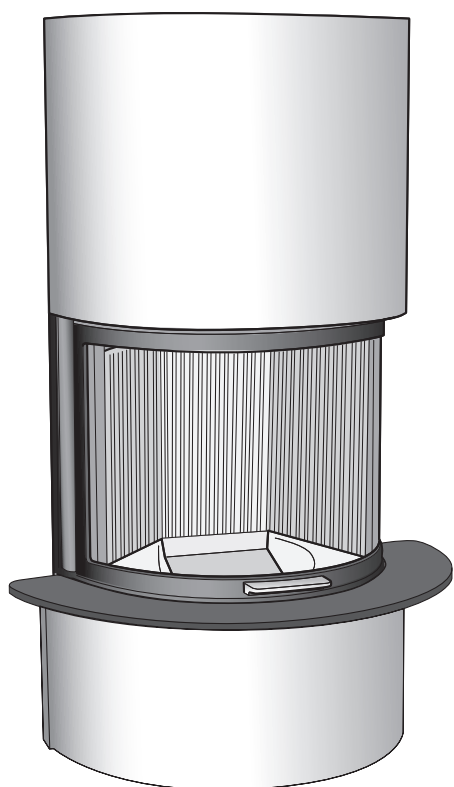


I N S T R U C T I O N S F O R
I N S T A L L A T I O N A N D U S E

Scan DSA 5

Freestanding + built-in



Approved according to EN 13240

This manual is accompanied by a pamphlet with General Instructions for Installation.



Edition 13.04.2010 - GB

Congratulations on your new SCAN stove/insert!

You have chosen a product from one of Europe's leading manufacturers of wood-burning stoves. We are convinced that your insert will be to your full satisfaction and give you many hours of pleasure if you follow the advice and instructions of this manual.

Please read this manual as well as the **General Instructions for Installation** before beginning the installation.

Service bag

- 1 hexagon spanner
- 1 distance piece (to be used when the door is opened for cleaning, servicing or dismantling)
- 1 oven mitt
- Firelighters for the first lighting

① Opening of the door

At the delivery of the stove, the door is locked. You can open it by pulling out and turning the locking button at the same time. The lock should not be activated in daily use, as the guiding axe may be scratched and unnecessarily worn.

When the door is completely open, you can lock it by activating the locking button in the right side.

Mounting

The mounting must be done in accordance with the local rules in the country where the stove is installed.

Before the installation

We refer to the General Instructions for Installation delivered with the stove concerning security distances (see also page 4 of this pamphlet), requirements of flooring, etc.

Connection to the chimney

If the stove is to be connected with a top outlet, you should lift off the top plate (fig.3) and mount the tube with damper in the connecting piece (fig. 4). Remove the screw in the punchings and press them out, so that the tube with damper and rod can be mounted. The tube with damper has a diameter of Ø 179 mm outside / Ø 175 inside. We recommend that the chimney adaptor fit into the tube with damper to lead condensation and rain into the stove instead of on the top plate. The chimney should continue with the same dimension and have a length that ensures a proper functioning of the stove. Read more about chimney connection in the General Instructions for Installation.

If the stove is to be connected with a rear outlet, you should lift off the top plate and unscrew the cover plate at the rear. The four screws that hold the connecting piece are to be unscrewed from the inside. Turn around the connecting piece 180 degrees and tighten it again with the four screws. Mount the tube with damper from the outside and put on the top plate again. The stove is now ready for the mounting of the chimney.

You should always respect the instructions from the supplier of the chimney.

Damper/regulation of the chimney draught

The chimney draught is regulated by means of the damper above the stove. If your stove is to be built-in, the operating rod for the damper should be led out through the masonry.

Adjustment screws

The stove has two adjustment screws in the bottom that can be used for levelling the stove.

Built-in insert

Support frame (accessory)

The support frame is delivered with the following:

- 2 fittings
- 4 screws 5.8 flanged head
- 3 shackles
- 6 locks for wire
- 3 wire strainers
- 3 x 3 m wire

The function of the support frame is to carry the casing above the door, if you want to build up around the insert.

Mount the two fittings on the sides of the insert (fig. 7). Put the support frame into the fitting (fig. 8) and support it with a piece of wood or the like in the desired height (according to the height of the bricks used) from the floor.

Mount the shackles, the wire strainers (fig. 9) and the wires on the support frame and fasten the wire to the ceiling, so that the support frame is horizontal (fig. 10). Please check that the wire is 100% tight and that the ceiling is able to carry the weight.

When the bricks reach the support frame, you can remove the piece of wood and continue to build up above the door.

The support frame should not be in direct contact with the insert, as steel expands/shrinks when warmed up or cooled down. The masonry might crack if the support frame has been attached on the insert itself.

Mantle

The built-in stove has a steel-plate framing. You can build up around the stove or you can cover it with another **NON-COMBUSTIBLE** material. The covering can be mounted directly on the outside of the upper part of the insert. The mantle is never to be in direct contact with the stove! When covering the lower part of the stove, you must allow space for the air intake for the convection system. You can build up the covering against a wall or follow the shape of the stove so that it becomes "free-standing".

Combustion air

Push the handle to the left in order to open and to the right in order to close. The air is used for the combustion and regulates the efficiency of the stove.

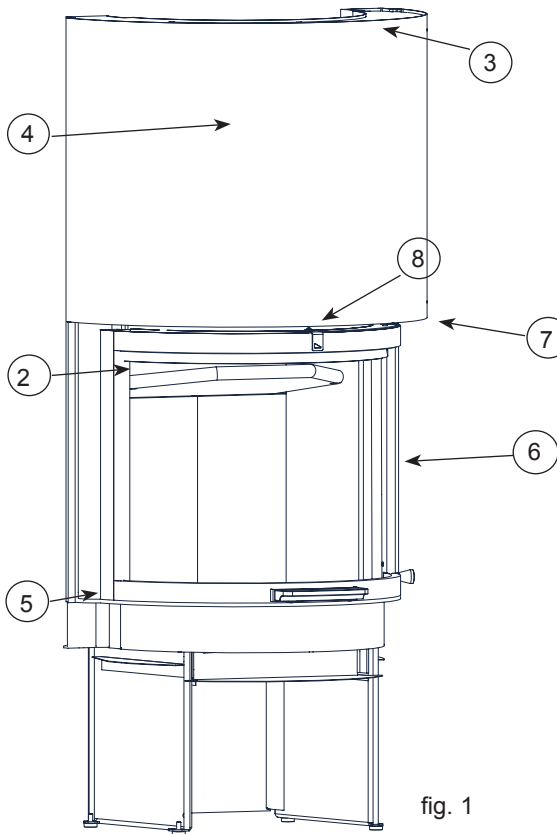


fig. 1

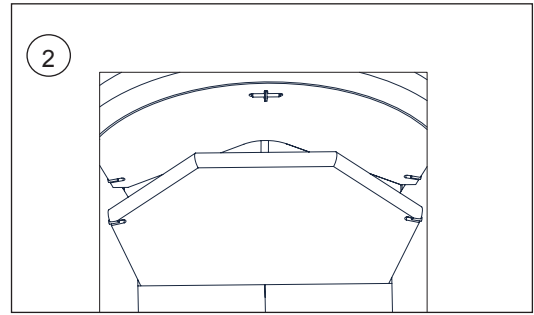


fig. 2

Ceramic smoke deflector

After the chimney has been swept, you have to remove the soot that has fallen down onto the ceramic smoke deflector. Lift up the deflector in one side and tilt it down in the other side so that the soot falls into the combustion chamber. Attention! The smoke deflector is made of Skamol, which is a delicate material that easily breaks, so take care when handling it.

Cleaning of the glass

If you need to clean the glass, the door can be opened in the following way:

IMPORTANT! Close the door and **lock** it by turning the locking button (see "Opening of the door") before you begin.

In order to protect the ceramic gasket at the bottom of the door, you should place the distance piece (fig. 5) under the door in the left side. Put a 6 mm hexagon spanner in the hole of the right side of the door (fig. 6) and turn clockwise. Swing out the door, clean the glass and close the door. Turn the screw counter-clockwise and remove the distance piece.

Accessories

For the free-standing model you can have the following accessories:

- Front plate at the door (steel or soapstone)
- Cover for the elbow
- Shaped floor plate (steel or glass)
- Connection piece for fresh-air intake

For the built-in insert you can have the following accessories:

- Support frame
- Damper for the regulation of the chimney draught

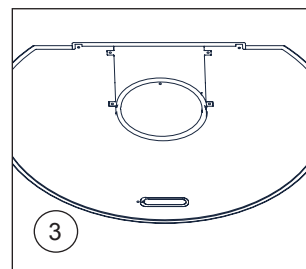


fig. 3

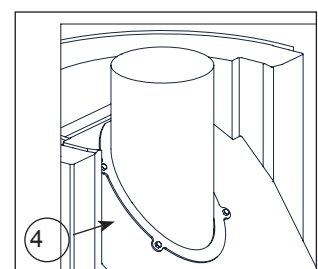


fig. 4

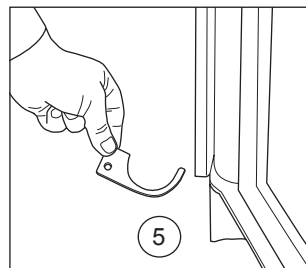


fig. 5

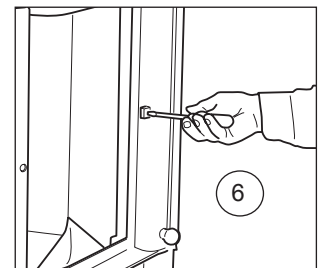


fig. 6

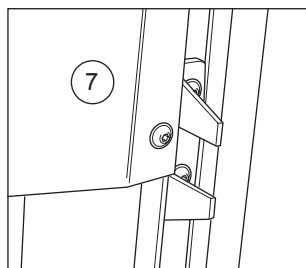


fig. 7

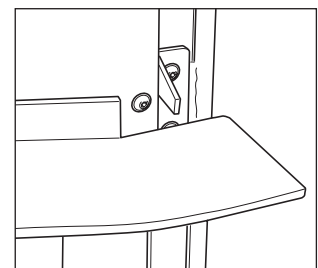


fig. 8

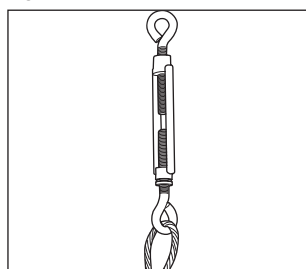


fig. 9

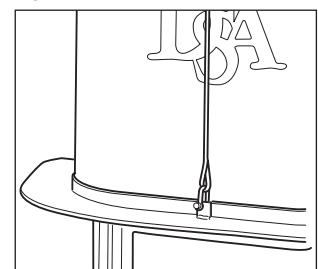


fig. 10

Warranty conditions

All SCAN wood-burning stoves and inserts are made of first-class material and are subject to a strict quality control before they leave the factory. However, if an error should occur, we back all SCAN wood-burning stoves and inserts with an extensive, five-year limited warranty.

See also the **General Instructions for Installation** delivered with your insert for more details.

644800

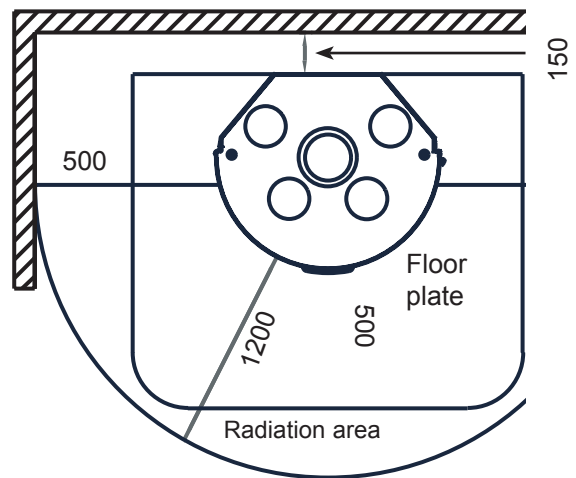
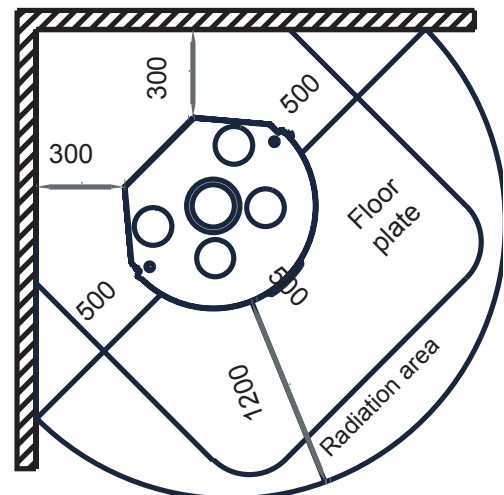
Production number

Write the production number of your insert here so that you have it at hand in case you need to contact us.

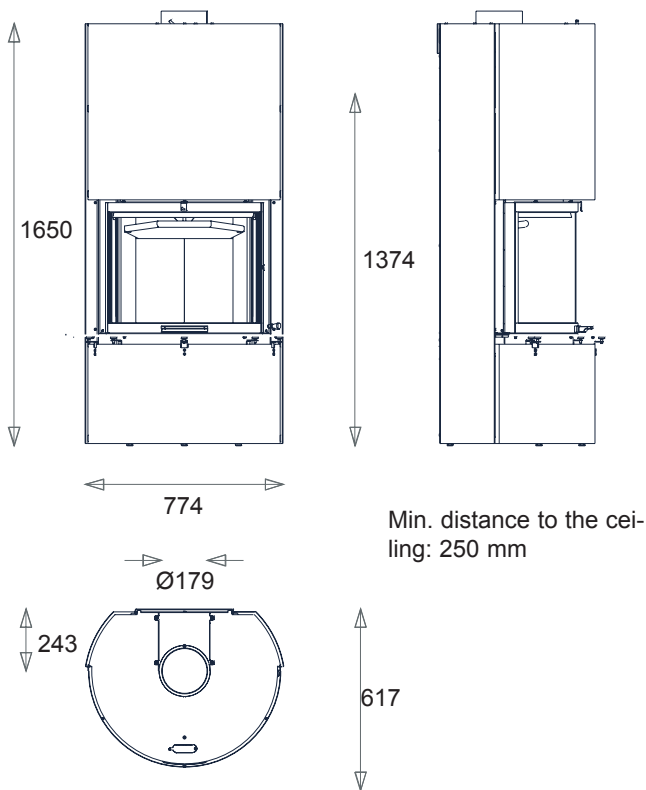
Technical info and measures:

Emission (% CO at 13% O ₂) :	0,11%
Efficiency:	77%
Thermal output:	8 kW
Min./Max.	8-10 kW
Weight DSA 5, built-in/freestanding:	172 kg / 210 kg
Recommended fuel:	Wood
Charge:	2,7 kg

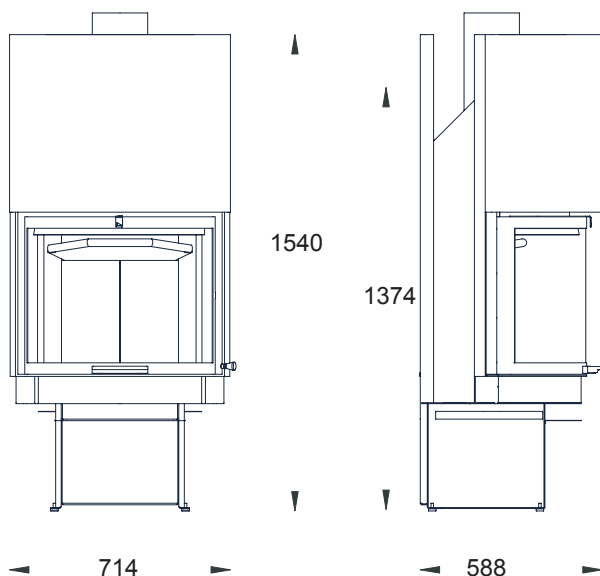
Distance to flammable materials (mm)



DSA 5 free-standing



DSA 5 built-in



Data for calculation of the chimney

Stove model	Connecting adaptor ext. mm	1 Density of flue gas flow g/s	2 Flue gas temperature °C	3 Minimum draft Pa
SCAN				
DSA 5	179	11,3	255	15

Column 2 shows the flue gas temperature in the connecting adaptor. Column 3 shows the lowest/minimum draft in Pa by rated value.