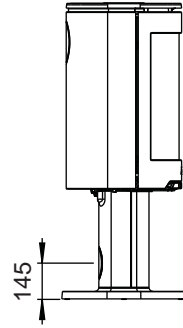
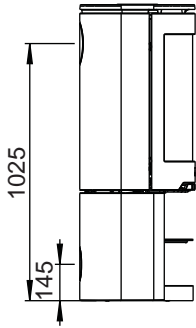
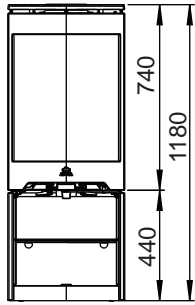


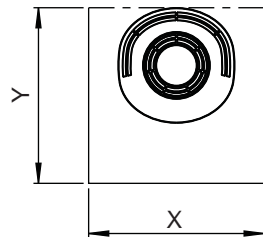
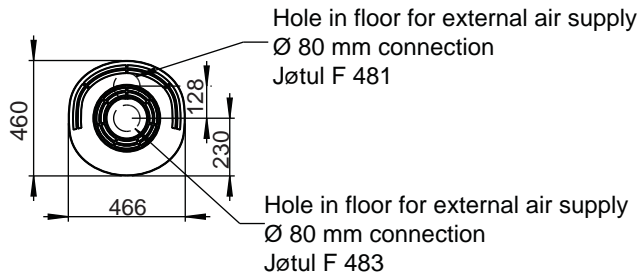
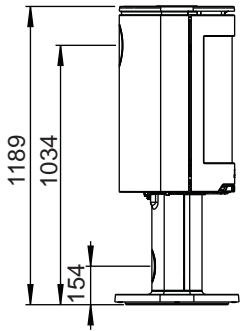
Jøtul F 480

Jøtul F 481

Jøtul F 483

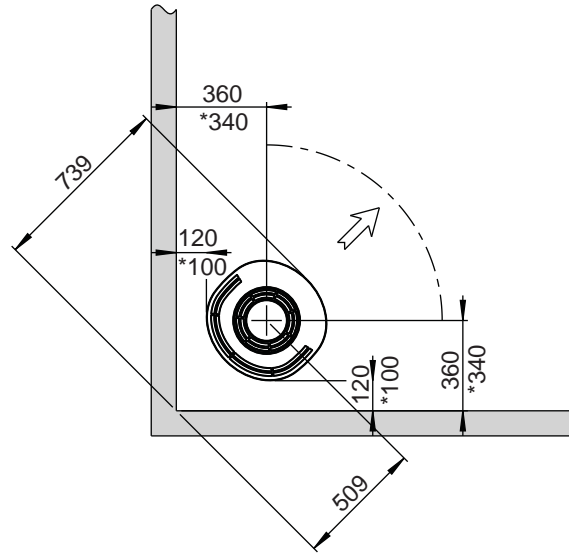


Jøtul F 483 with rotating set

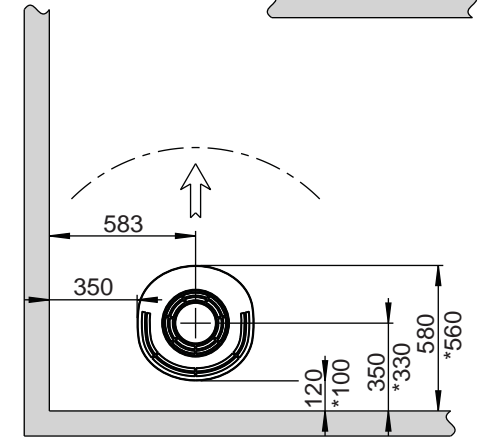


Min. measure floorplate
X/Y = Acc. to national standards
and regulations

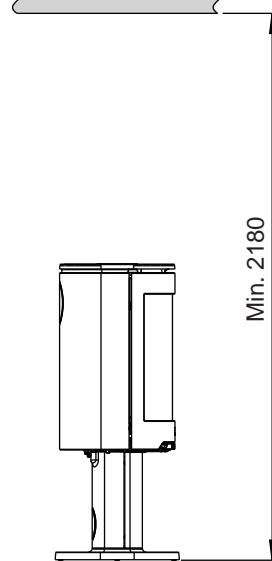
Min. distance to combustible wall



Brennbar vegg

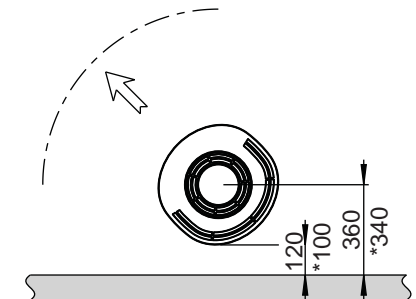
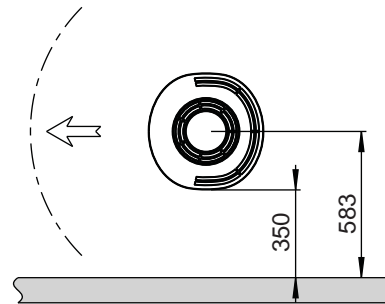


Combustible ceiling



Min. distance to furniture /
combustible material = 900 mm

Distance to combustible wall with rotating pedestal

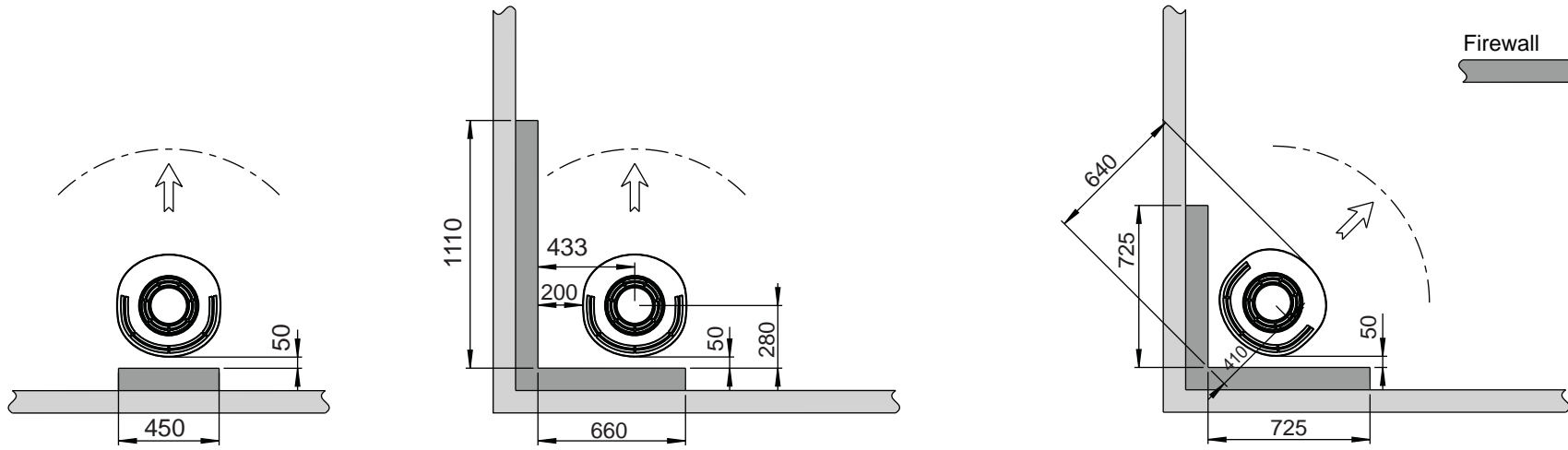


* Semi-insulated chimney / shielded flue pipe

External

Combustible wall

Firewall



Integrated

